

COURT MARKINGS

These drawing are given for information purpose only. They can be changed at any time by the federations. Verification of the dimensions should be made by the installer prior to marking out.

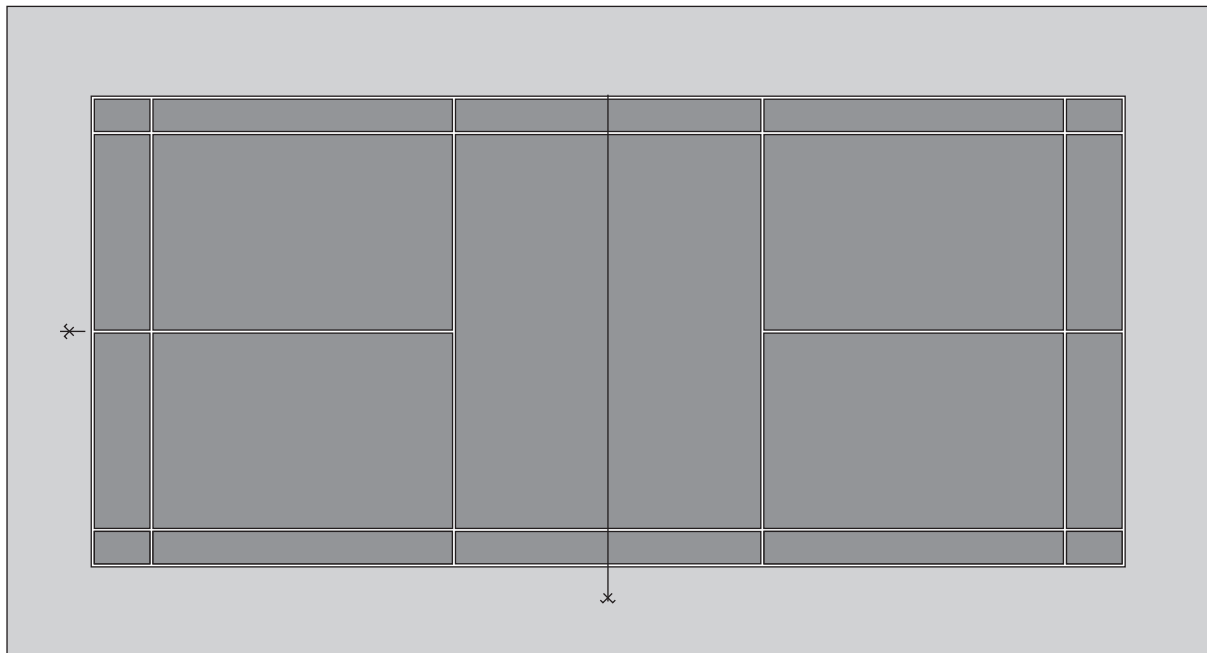
BADMINTON

Play area: Single court : 13.40 m x 5.15 m

Double court : 13.40 m x 6.10 m

Surround: 1.25 m all around (2 m for international games)

Overall play area: 16 m x 8.10 m, which means 129.60 sqm.

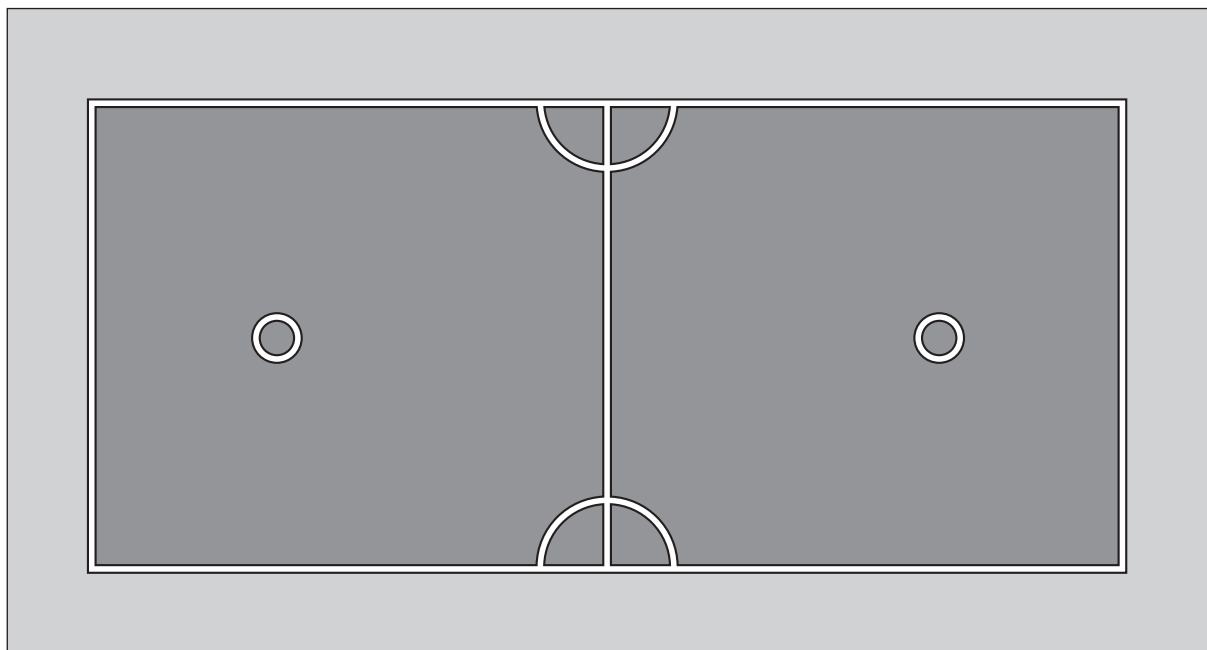


SEPAK TAKRAW

Play area: 13.40 x 6.10 m

Surround: 3 m all around

Overall play area: 16 m x 8.10 m which means 129.6 sqm.

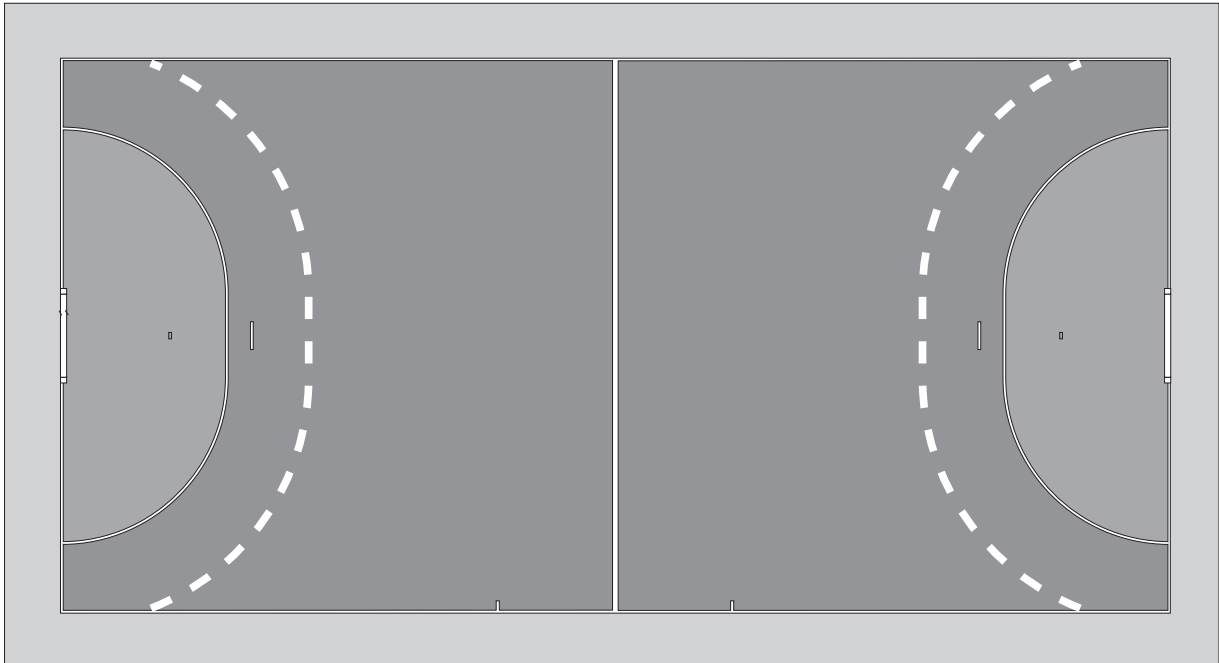


HANDBALL

Play area: 40 m x 20 m

Surround: 2 m on the sides, 2 m behind the goal lines

Overall play area: 44 m x 24 m, which means 1056 sqm.



TENNIS

Play area: Single court : 23.77 m x 8.23 m

Double court : 23.77 m x 10.97 m.

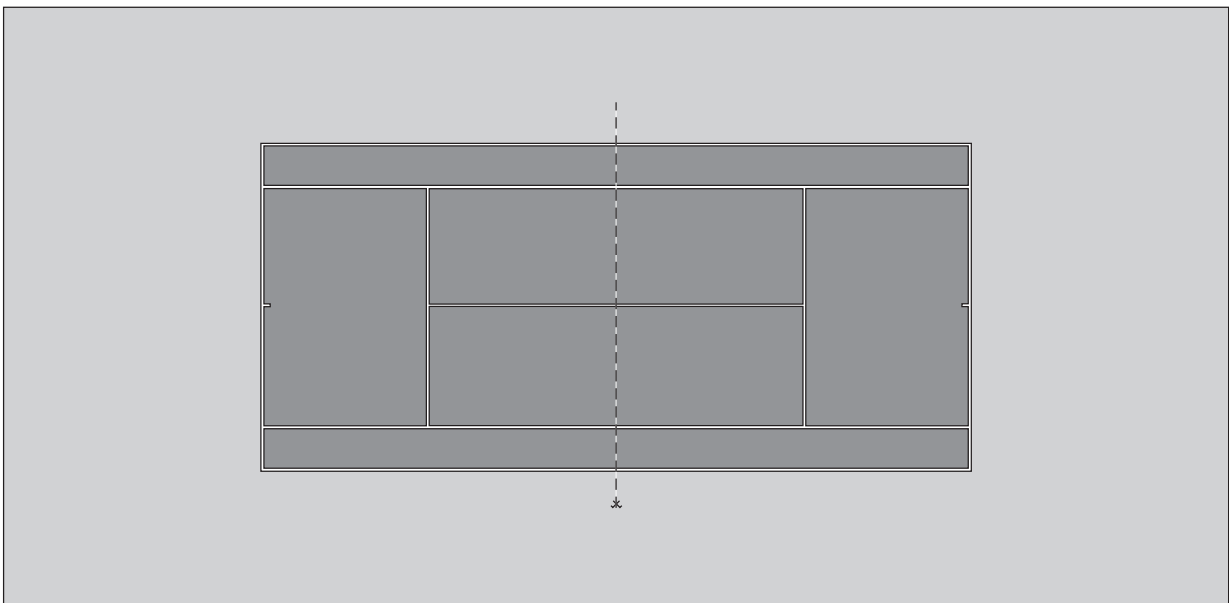
Surround: (depending on the play ground)

5.50 m to 8.50 m at the end of the ground

3 m to 4.5 m on the sides.

Overall play area: 34.77 m x 16.97 m, which means 590 sqm.

40.77 m x 19.97 m, which means 814 sqm.

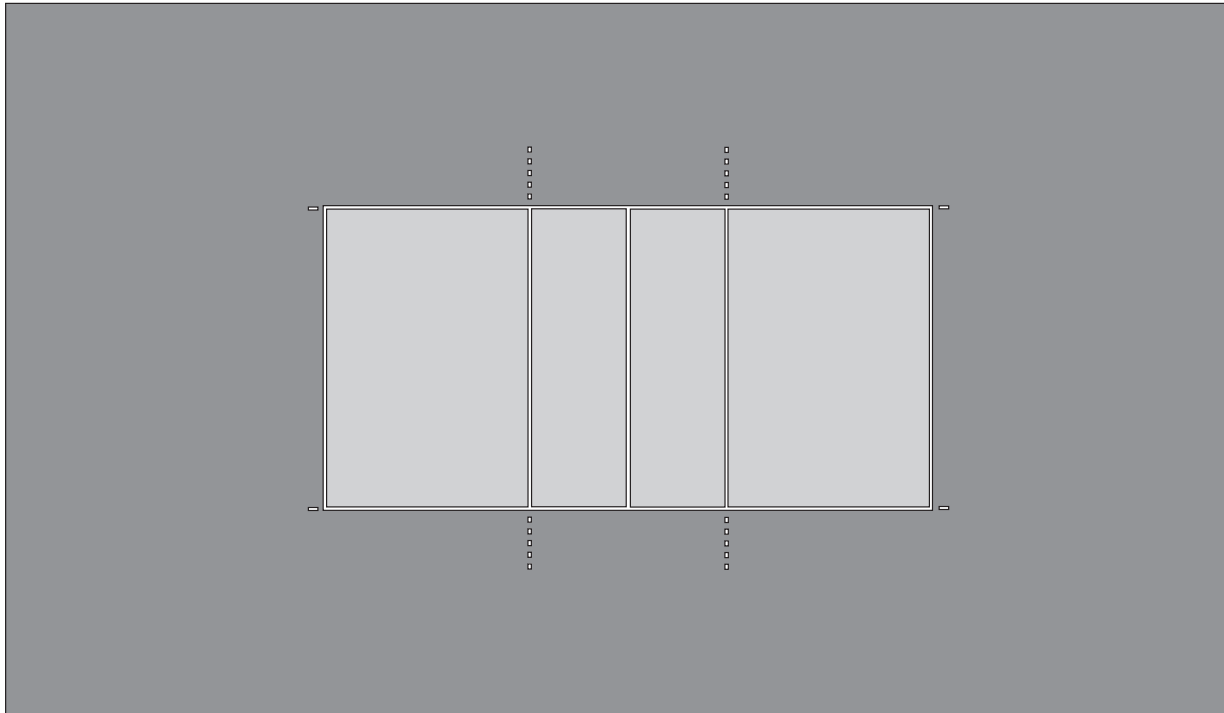


VOLLEY-BALL

Play area : 18 m x 9 m

Surround: (depending on the standard) between 3 and 6 m on the sides and de 5 to 9 m behind the rear lines.

Overall play area: 36 m x 21 m, which means 756 sqm.



BASKET-BALL

Play area: 28 m x 15 m (The playing lines are outside the play area they define and must have a width of 5 cm)

Surround: 2 m around the play area.

Overall play area: 32 m x 19 m, which means 608 sqm.

